



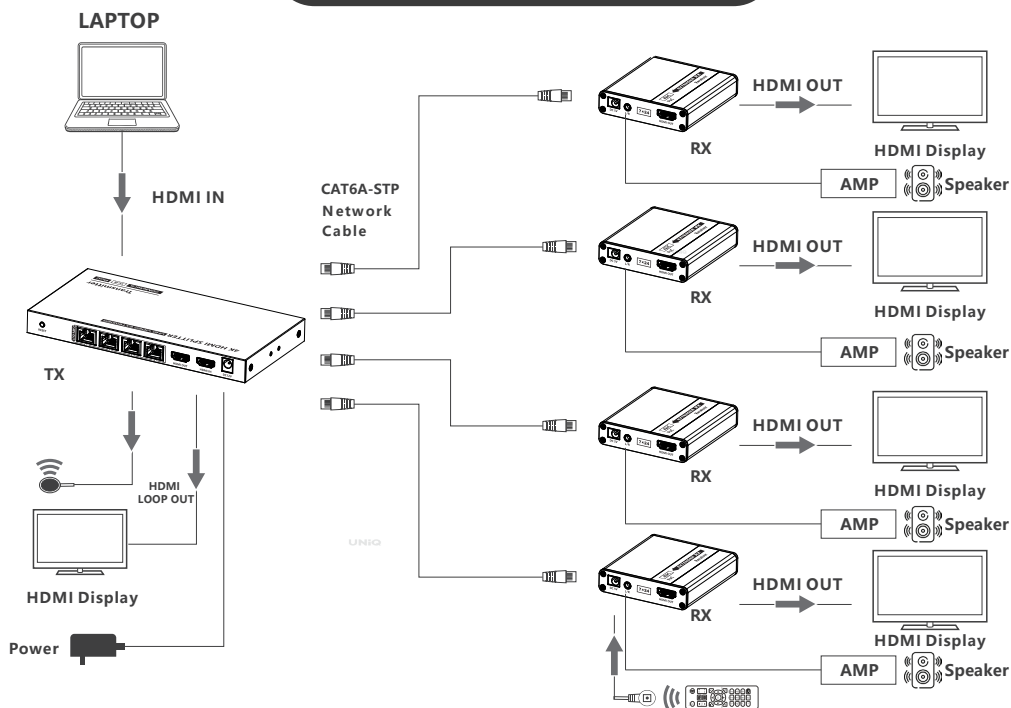
# CE-SP4L40

## 4K@30Hz HDMI Splitter + Extender



- HDMI Loop-Out**
- Zero Latency**
- 1 in 4 out**
- 40m**
- PoC**
- Stable Performance**
- Visually Lossless**
- RS232 Control**
- Bi-directional IR Passback**
- Audio De-Embedder**

### Connection Diagram



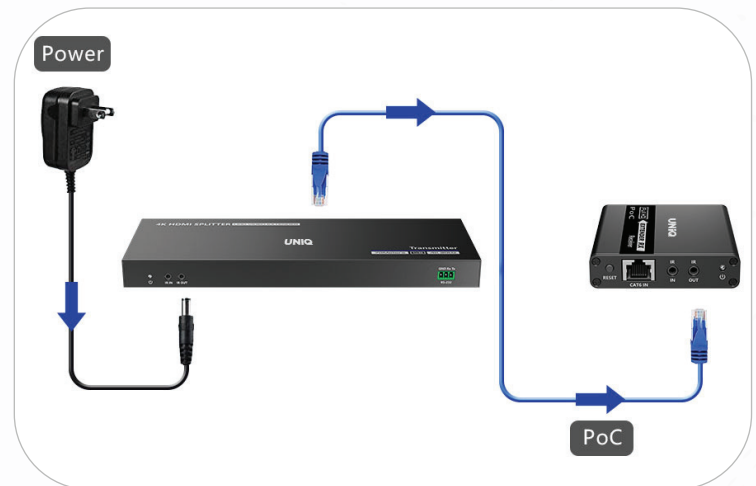
## Flexible Output Options for Multi-Screen Expansion

- ▶ Supports 1-to-2, 1-to-4, and 1-to-8 HDMI output configurations
- ▶ Enables easy expansion of display setups without signal drop or quality loss
- ▶ Consistent image clarity across all connected screens
- ▶ Ideal for digital signage, video walls, retail displays, and control systems



## Simplified Power Delivery with PoC Support

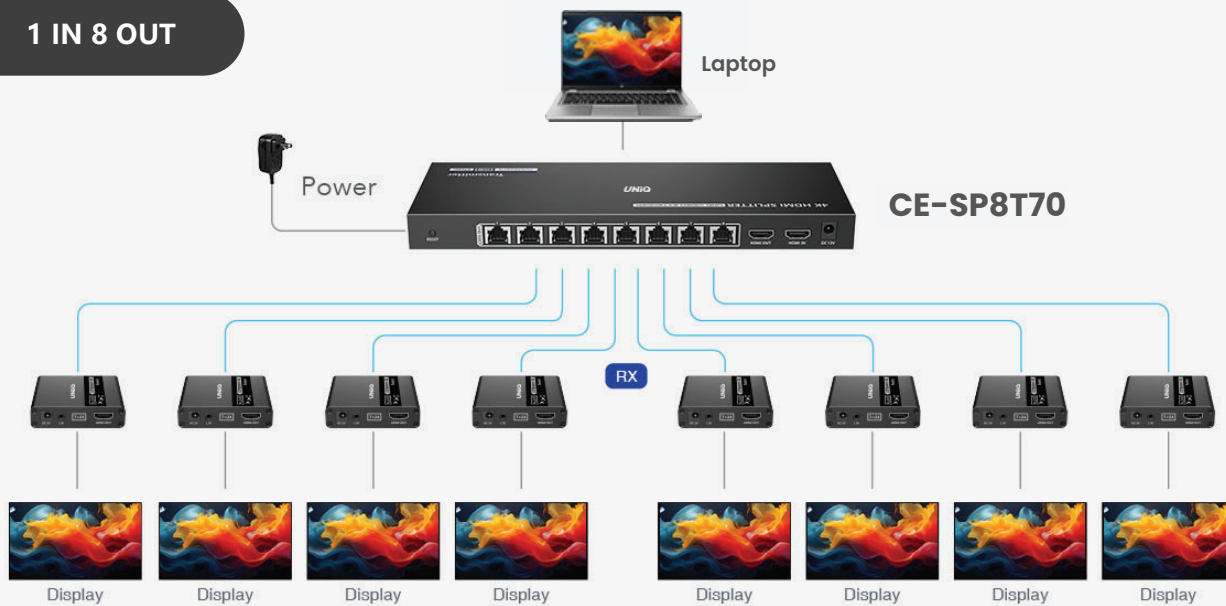
- ▶ Only the transmitter (TX) requires a direct power connection
- ▶ The receiver gets powered through a single network cable using PoC
- ▶ Minimizes extra adapters and ensures a cleaner, clutter-free setup



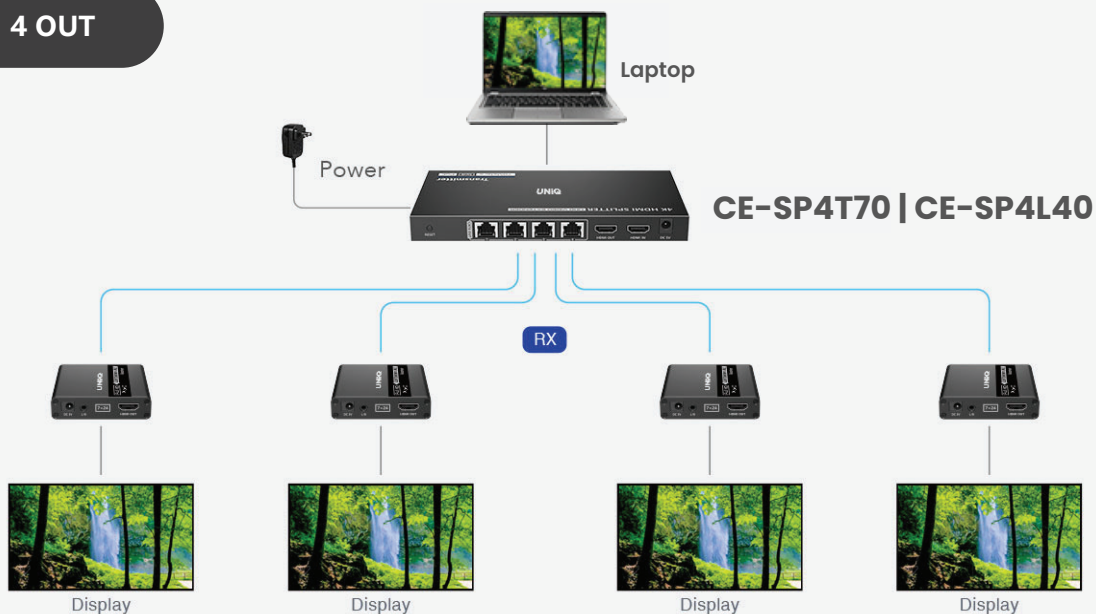
## 4K@30Hz HDR for Enhanced Visual Experience

- ▶ Delivers ultra-HD 4K resolution at 30Hz refresh rate with HDR support
- ▶ Produces vibrant colors, deeper contrast, and lifelike image quality
- ▶ Optimized for professional AV setups, entertainment zones, and business displays
- ▶ Maintains sharp detail and visual depth even on larger screens

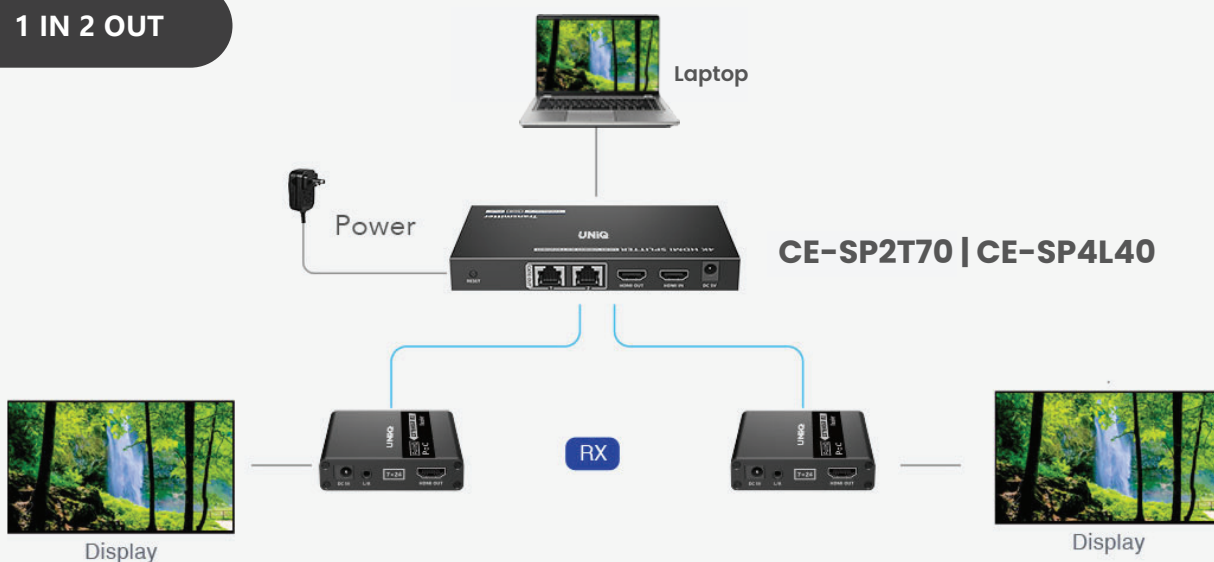
**1 IN 8 OUT**



**1 IN 4 OUT**

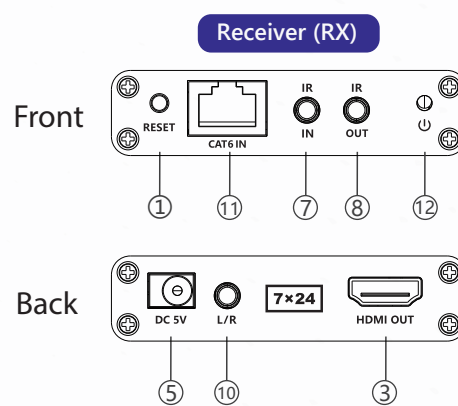
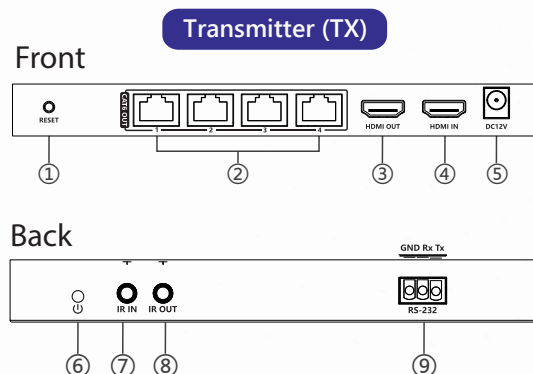


**1 IN 2 OUT**



# Product Specifications CE-SP4L40

Item		Specification
Mode		1 in 2 out
HDMI Performance	Compatibility	HDMI 1.4, HDCP1.4
	Resolution	800x600, 1024x768, 1280x720, 1280x960, 1366x768, 1440x900, 1680x1050, 1920x1080, 480i@60Hz, 480p@60Hz, 576i@50Hz, 576p@50Hz, 720p@50/60Hz, 1080i@50/60Hz, 1080p@24/25/30/50/60Hz, 4K@24/25/30Hz
	Audio Formats	PCM, LPCM, DTS-HD, DTS-Audio
Transmission distance	CAT6/6A/7	1080p@60Hz≤70 meters 4K@30Hz≤40 meters
IR Passback	Bi-directional IR passback (20-60khz)	
RS-232	3Pin: GND-RxD-TxD, follows RS-232 levels Default baud rate: 9600	
Operating Environment	Working temperature	-20~60°C
	Storage temperature	-30~70°C
	Humidity	0~90% RH
Protection	ESD protection 1a Contact discharge level 2 (±4KV) 1b Air discharge level 3 (±8KV) Implementation of the standard: IEC61000-4-2	
	Lightning protection	
	Surge protection	
Power	Supply	TX: DC12V/1A RX: DC5V/1A
	Consumption	TX < 10W RX < 2.5W
Physical Properties	Housing	Iron
	Color	Black
	Weight	TX: 280g RX: 160g x2
	Dimensions	TX: 151.5(L) x 86.5(W) x 19.0(H)mm RX: 75.0(L) x 80.0(W) x 18.0(H)mm
Package Contents		1) Transmitter x1 2) Receiver x2 3) Power Adaptor DC12V/1A x1 4) IR Blaster extension Cable x1 5) IR Receiver extension Cable x2 6) RS-232 Terminal Block x1 7) Mounting Ears x2 8) Screw x8 9) User Manual x1

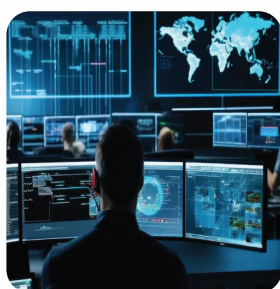


01	Reset button
02	RJ45 signal output
03	HDMI signal output
04	HDMI signal input
05	Power input
06	Power indicator
07	IR in
08	IR out
09	RS-232
10	3.5mm L/R out
11	RJ45 signal input
12	Power indicator

## Applications



Auditorium



NOC / SOC / CCC



Conference-Room



Town Hall



Training Hall

# Prestigious Lineup of Cutting-Edge Professional AV Products

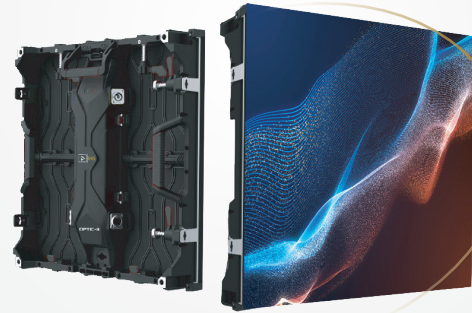
## Ai Interactive Displays

**AiO | Pro | Education Series**  
**65" | 75" | 86" | 98" | 100"**



## Active LED Video Wall

**Indoor & Outdoor LED Walls**  
**CoB, GOB, and**  
**Custom Pixel Pitch Options**



## Video Conferencing Products & Professional Cameras

From AI Video Bars to PTZ Cameras  
**AiO Video Bars | AiO PTZ Video Bars**  
**PTZ Cameras | Speakers Phone**  
**Conferencing | Microphones | DSP**



## AV Interface Products

**Extenders – CAT6 Wireless | Point-Point**  
**KVM Extenders | Over-IP**  
**Matrix & Splitter Cum Extenders**  
**Splitters Switchers | Matrix**



### Disclaimer

- Specifications, features, visuals, and models are subject to change without notice.
- Product availability and features may vary by region.
- Colours/images shown are for reference only; actual product may differ.
- Warranty terms vary by model and region—refer to official documentation.
- We recommend staying updated via our official channels for the latest info.
- Performance may improve with software/firmware updates.
- All trademarks belong to their respective owners.
- We are not liable for typographical or illustrative errors.
- Please dispose of products responsibly as per local e-waste norms.
- Data (if applicable) is handled per our privacy and regulatory compliance.
- No liability is assumed for indirect or consequential damages