

CE-U3.0HUB90

USB3.0 Extender POINT TO POINT EXTENDER



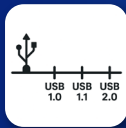
Lightning Protection
Surge Protection
ESD Protection



UP TO 5 Gbps
SPEED



POC POWER
CABLE



ALL USB
SUPPORT



USB HUB



ZERO
LATENCY



FASTEST
USB 3.0



24/7
STABLE
OPERATION



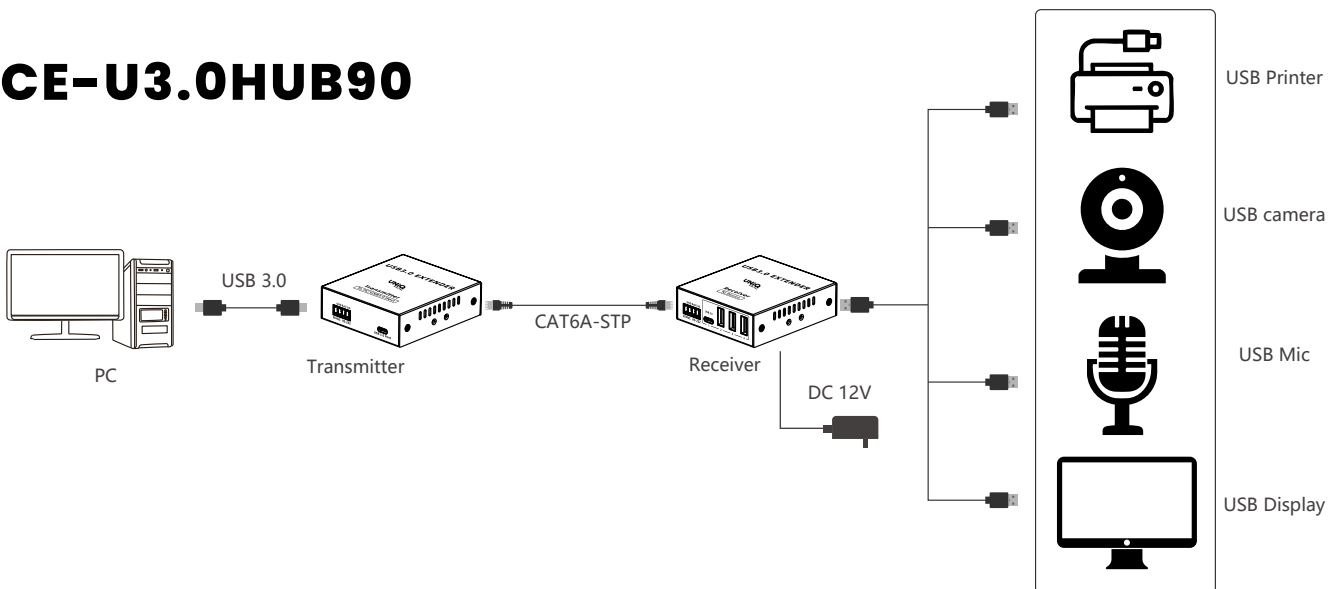
Multiple
OS



90 M
RANGE

Connection Diagram

CE-U3.0HUB90



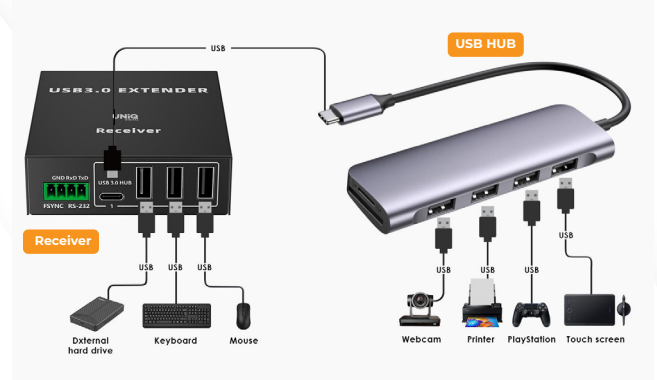


Extended USB 3.2 Connectivity – Up to 90 Meters

- Supports USB 3.2 Gen1 data transfer speeds up to 5Gbps
- Extends USB signals over distances up to 90 meters using a single CAT6/6a/7 STP cable.
- Designed for stable, high-speed performance with data-intensive USB devices like HD webcams, storage drives, and conferencing tools.

Integrated 4-Port USB Hub for Multiple Devices

- Receiver unit includes a built-in 4-port USB hub
- Enables simultaneous use of multiple USB devices including touchscreens, keyboards, audio equipment, and cameras.
- Perfect for centralized device setups in control rooms, classrooms, broadcast stations, or meeting spaces.



Frame Sync Technology & RS-232 Control Support

- Maintains precise frame alignment for smooth video delivery—critical in surveillance, broadcasting, and industrial camera applications.
- RS-232 interface allows remote management of serial Connected equipment such as PTZ cameras and automation gear.
- Enhances compatibility and control across complex AV or monitoring systems.

Universal USB Support

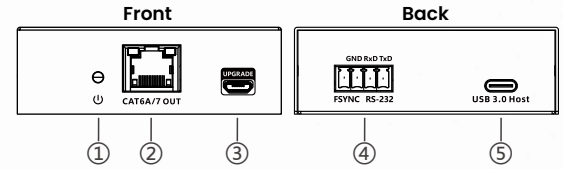
- Works seamlessly across USB 3.0, 3.2 Gen1x1, and 3.1 Gen1 ports for fast, stable connections.
- Connects effortlessly with older USB standards, from 3.0 down to 1.0.
- Ready for use on Windows, Mac OS, and Linux without extra setup.
- Built for smooth, no-fuss performance in any modern office environment.



Product Specifications CE-U3.0HUB90

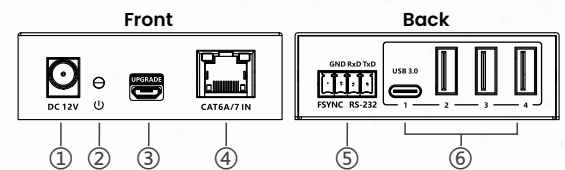
Item	Specification
Transmitter USB	USB 3.0, compatible with USB 3.2 Gen1x1, USB 3.1 Gen1
Receiver USB	USB 3.0, compatible with USB 3.1 Gen1, USB 2.0, USB 1.1
Transmission Distance	CAT6 ≤ 50m; CAT6A/CAT7(S/FTP, F/FTP) ≤ 100m
USB Device	Support printer, camera, scanner, USB flash drive, keyboard, mouse, touch screen... etc
USB Hot-Plug	Support
USB Port	3 USB-A 3.0 input and 1 Type-C 3.0 input 1 Type-C 3.0 output
Physical Properties	
Housing	iron
Dimensions	85.0(L) x 76.0(W) x 25.0(H) mm
Weight	Tx:169g Rx:182g
Color	Black
Power	
Power Supply	RX: DC 12V/3A
Power Consumption	TX+RX ≤ 8W
Operating Environment	
Working Temperature	-20~60
Storage Temperature	-30~70
Humidity	0~90% (No condensation)
Protection	ESD protection 1a Contact discharge level 2 (±4KV) 1b Air discharge level 3 (±8KV) Implementation of the standard: IEC61000-4-2 Lightning protection, Surge protection
Package Contents	1) Transmitter x1 2) Receiver x1 3) Power Adaptor DC12V/3A x1 4) Type-C 3.0 to Type-C 3.0 Cable x1 5) Type-C 3.0 to USB-A 3.0 Cable x1 6) Mounting Ears x4 7) Screw x10 8) Grounding Screw x2 9) RS-232 Terminal Block(4pin) x2 10) User Manual x1

Transmitter



01	Power indicator
02	RJ45 output port
03	Micro USB port
04	RS-232/FSYNC interface
05	USB Host 3.0 port

Receiver

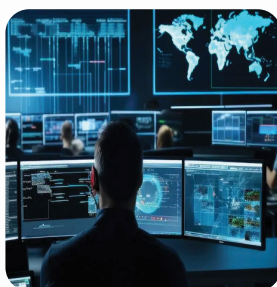


01	Power input
02	Power indicator
03	Micro USB port
04	RJ45 input port
05	RS-232/FSYNC interface
06	USB Hub port

Applications



Auditorium



NOC / SOC / CCC



Conference-Room



Town Hall



Training Hall

Prestigious Lineup of Cutting-Edge Professional AV Products

Ai Interactive Displays

AiO | Pro | Education Series
65" | 75" | 86" | 98" | 100"



Active LED Video Wall

Indoor & Outdoor LED Walls
CoB, GOB, and
Custom Pixel Pitch Options



Video Conferencing Products & Professional Cameras

From AI Video Bars to PTZ Cameras
AiO Video Bars | AiO PTZ Video Bars
PTZ Cameras | Speakers Phone
Conferencing | Microphones | DSP



AV Interface Products

Extenders – CAT6 Wireless | Point-Point
KVM Extenders | Over-IP
Matrix & Splitter Cum Extenders
Splitters Switchers | Matrix



Disclaimer

- Specifications, features, visuals, and models are subject to change without notice.
- Product availability and features may vary by region.
- Colours/images shown are for reference only; actual product may differ.
- Warranty terms vary by model and region—refer to official documentation.
- We recommend staying updated via our official channels for the latest info.
- Performance may improve with software/firmware updates.
- All trademarks belong to their respective owners.
- We are not liable for typographical or illustrative errors.
- Please dispose of products responsibly as per local e-waste norms.
- Data (if applicable) is handled per our privacy and regulatory compliance.
- No liability is assumed for indirect or consequential damages